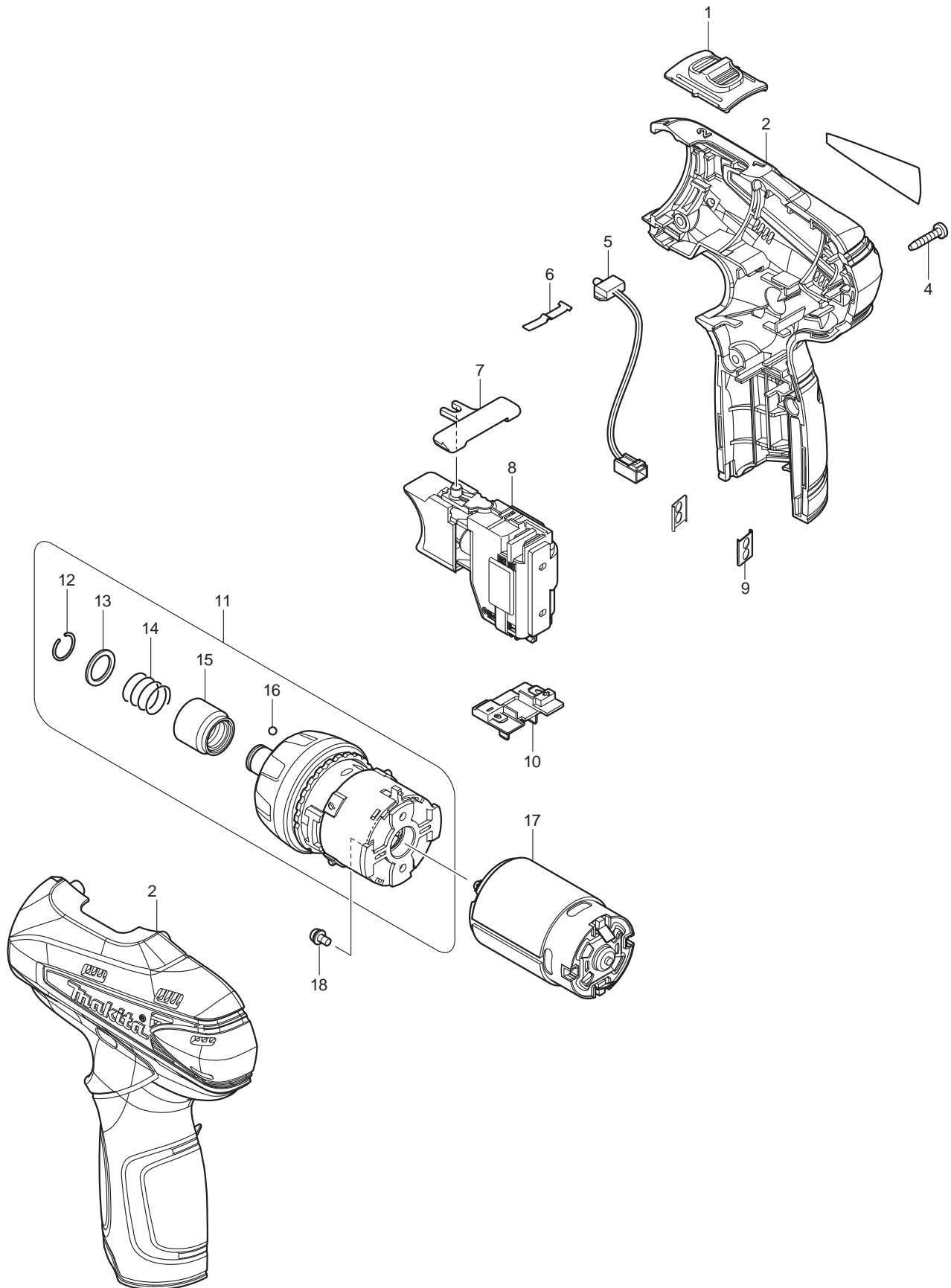




11 - 2010  
DF030D, DF030DW  
10.8V DRIVER DRILL



Item No	Type	Ref	Part No	Description	Qty	Unit
1			125461-4	SPEED CHANGE LEVER ASSEMBLY	1	PC.
		INC.	231433-0	COMPRESSION SPRING 4	2	PC.
2	1		188498-2	* HOUSING SET (BLUE - F/DF030D)	1	SET
	2		187147-8	* HOUSING SET (BLUE - F/DF030D)	1	SET
2	1		188499-0	* HOUSING SET(WHITE - F/DF030DW)	1	SET
	2		187148-6	* HOUSING SET(WHITE - F/DF030DW)	1	SET
4			266130-9	TAPPING SCREW BIND PT 3X16	6	PC.
5			631813-4	* LED CIRCUIT (OLD)	1	PC.
6			232239-9	LEAF SPRING	1	PC.
7			450504-6	F/R CHANGE LEVER	1	PC.
8	1		650599-1	* SWITCH C3HY-1A-LM	1	PC.
	2		650645-0	* SWITCH C3HY-1A-LF1M	1	PC.
9			345998-7	SET PLATE	2	PC.
10			643830-2	TERMINAL	1	PC.
11			125459-1	GEAR ASSEMBLY	1	PC.
		INC.		Item No. 12-16		
12			231965-7	RING SPRING 10	1	PC.
13			267143-3	FLAT WASHER 11	1	PC.
14			233005-7	COMPRESSION SPRING 13	1	PC.
15			324919-2	BIT SLEEVE	1	PC.
16			216019-1	STEEL BALL 3	2	PC.
17			629853-4	DC MOTOR	1	PC.
18			911003-8	PAN HEAD SCREW M3X6	2	PC.

#### **ACCESSORIES**

- See Catalogue or visit [www.makita.ca](http://www.makita.ca) for more accessories information -

A01			168467-9	HOLSTER	1	PC.
A02			DC10WA	CHARGER DC10WA F/LI-ION 7.2, 10.8V	1	PC.
			DC10WB	CHARGER DC10WB F/LI-ION 7.2, 10.8, 12V	1	PC.
A03			194551-4	10.8V LI-ION BATTERY BL1013	2	PC.
A04			784244-7	+ BIT 2-50	1	PC.
A05			824781-0	PLASTIC CASE F/Storing small Accessory(ies)	1	PC.
A06			824842-6	PLASTIC CARRYING CASE	1	PC.
		INC.	417724-5	LATCH	2	PC.

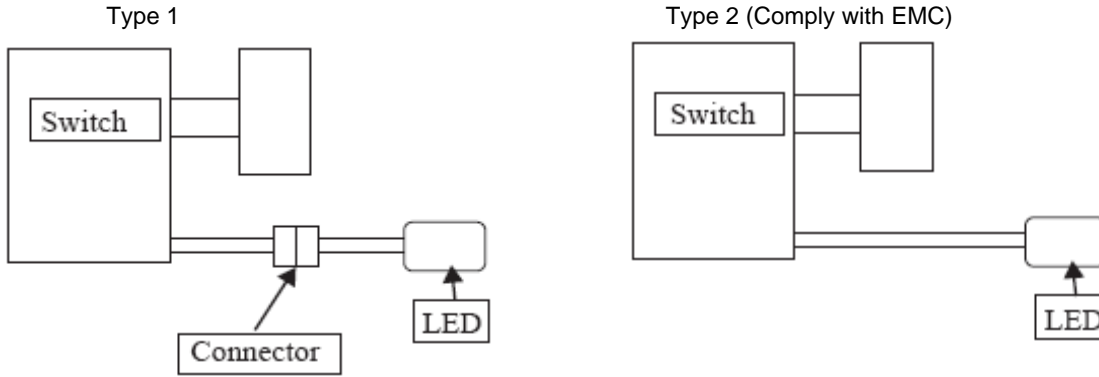
**SERVICE CHANGES**

**1. Changes on Switch**

(T/I# 90876)

Item No.	Description	Type 1	Type 2
5	LED CIRCUIT	631813-4	-----
8	SWITCH	650599-1	650645-0

Above parts are completely interchangeable as a set.



**2. Changes on Housing Set**

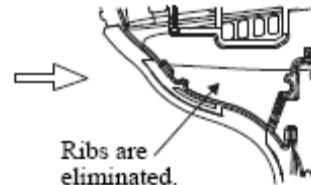
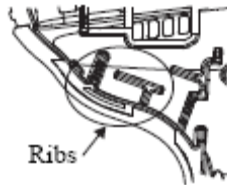
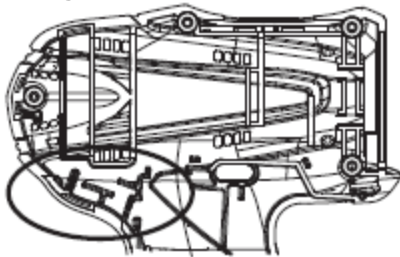
(T/I#91765)

Item No.	Description	Type 1	Type 2
2	Housing Set (Blue)	188498-2	187147-8
2	Housing Set (White)	188499-0	187148-6

**Housing Set (Blue)**

Type1# 188498-2

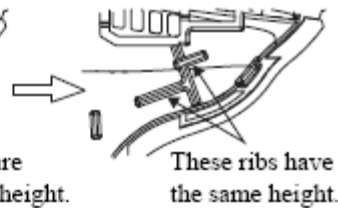
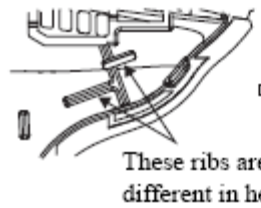
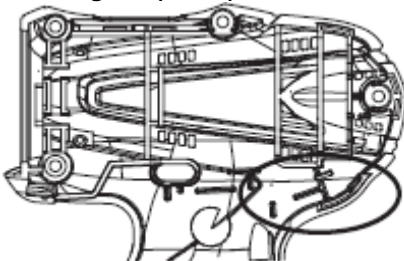
Type2# 187147-8



**Housing Set (White)**

Type1# 188499-0

Type2# 187148-6



**NOTE:**

For the models manufactured with Type1 (before May 2011), use Type 1 Housing set to fix Connector to the inside of ribs.  
 For the models manufactured with Type2 (after May 2011), use Type 2 Housing set.